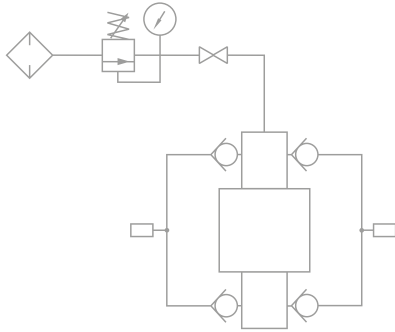




**HIGH PRESSURE  
EQUIPMENT COMPANY**

# AIR OPERATED DOUBLE DIAPHRAGM PUMP SKIDS

GRACO HUSKY PUMPS



STANDARD SCHEMATIC



## 5075 SERIES DESIGNATION

SIZE	ALUMINIUM	POLYPROPYLENE	U.S. GALLS/MIN	LITRES/MIN	L x W x H
3/8"	-	D32911	7	26	15 3/4" x 10 1/2" x 15"
1/2"	-	D52911	15	57	15 3/4" x 10 1/2" x 15"
3/4"	D53911	-	16	61	15 3/4" x 10 1/2" x 15"
1"	647055	649177	50	189	20" x 13" x 22"
1 1/2"	DB3911	-	90	341	24 1/2" x 19 1/2" x 27 1/4"
2"	DF3911	DFA911	150	568	24 1/2" x 19 1/2" x 27 1/4"
3"	652084	652404	300	1136	38" x 26" x 50"

☎ 1-800-289-7447

✉ SALES@HIGHPRESSURE.COM

🌐 WWW.HIGHPRESSURE.COM

2955 W. 17<sup>TH</sup> STREET,  
ERIE, PENNSYLVANIA 16505

**PERFECT UNDER PRESSURE**

# SPECIFICATION

## ALUMINIUM

SIZE	ATEX	CENTRE SECTION	PORTING	SEATS	BALLS	DIAPHRAGM
¾"	✓	Polypropylene	NPT	Polypropylene	PTFE	PTFE
1"	✓	Aluminium	NPT	Polypropylene	PTFE	PTFE
1½"	✓	Aluminium	NPT	Polypropylene	PTFE	PTFE
2"	✓	Aluminium	NPT	Polypropylene	PTFE	PTFE
3"	✓	Aluminium	ANSI/DIN Flange	Acetal	PTFE	TPE

## POLYPROPYLENE

SIZE	ATEX	CENTRE SECTION	PORTING	SEATS	BALLS	DIAPHRAGM
¾"	-	Polypropylene	NPT	Polypropylene	PTFE	PTFE
1½"	-	Polypropylene	NPT	Polypropylene	PTFE	PTFE
1"	✓	Conductive Polypropylene	ANSI/DIN Flange	Polypropylene	PTFE	PTFE
2"	✓	Aluminium	NPT	Polypropylene	PTFE	PTFE
3"	-	Polypropylene	NPT	Polypropylene	PTFE	TPE

Flange adapters are available

Stainless steel and other materials available



Staffordshire Hydraulic Services | A Graco Company

1-800-289-7447

SALES@HIGHPRESSURE.COM

WWW.HIGHPRESSURE.COM

2955 W. 17<sup>TH</sup> STREET,  
ERIE, PENNSYLVANIA 16505



# PERFECT UNDER PRESSURE